

Switching Test Probe with Easy-Replacement System 138 mil / 3.5 mm - Switching Travel 1.7 mm

HIGHLIGHTS

Test Probe with switching function for cable harness test and presence verification

Easy-replacement system (replacement without soldering)

Version for large tip diameters

Variable extension height

Switching travel 1.7 mm

Long full travel

High soldering temperature up to 300°C

MECHANICAL DATA

Center	3.50 mm/138 mil
Temperature range	-30 °C - +120 °C
Full travel	11.00 mm
Working travel	9.00 mm
Switching travel	1.70 mm
Pre-loaded spring force	0.40 N
Spring force at working travel	2.00 N
Spring force at switching travel	0.60 N

ELECTRICAL DATA**Receptacle-Plunger**

Max. current rating	10.0 A
Typical continuity resistance	<= 15 mOhm

Pin-Plunger

Max. current rating	1.0 A
Typical continuity resistance	<= 50 mOhm
Typical insulating voltage	1000 V

MATERIALS

Barrel	Brass, gold-plated
Spring	Spring Steel, gold-plated
Plunger	CuBe
Receptacle	Brass, gold-plated

RECOMMENDED DIAMETER OF DRILL**H 3011/GWR5 (/R /RK)**

HP 2361.1 (trolitax)	3.02 mm
HGW 2372 (glass filled material)	3.04 mm

H 3011/K (/5K)

HP 2361.1 (trolitax)	3.01 mm
HGW 2372 (glass filled material)	3.02 mm

AVAILABLE SCREW TOOLS

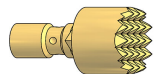
Article Designation	max. Tip Diameter
WFSB 3012/G-S1.8	alle



Technical Data // Series 3012/2GSL

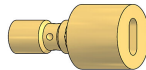
Switching Test Probe with Easy-Replacement System 138 mil / 3.5 mm - Switching Travel 1.7 mm

TIP STYLE - DIAMETER - PLATING



C

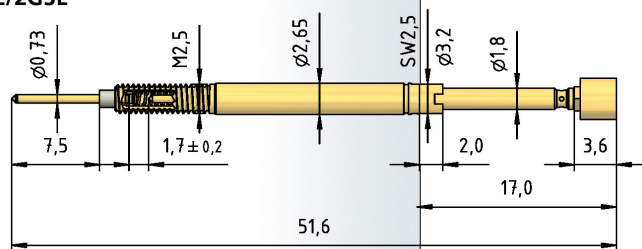
3.50C Au



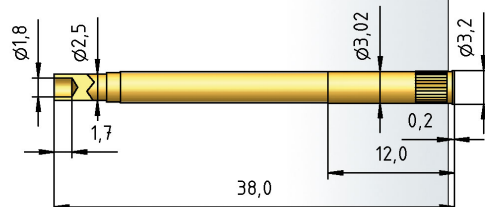
F

3.50C Au

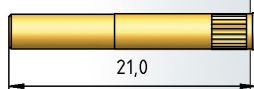
3012/2GSL



H 3011/GWR5



H 3011/R



H 3011/K



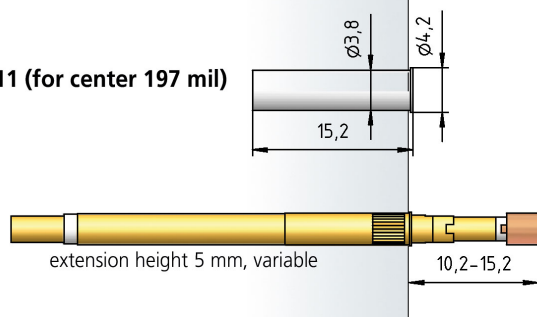
H 3011/RK



H 3011/5K



HI 3011 (for center 197 mil)





Technical Data // Series 3012/2GSL

Switching Test Probe with Easy-Replacement System 138 mil / 3.5 mm - Switching Travel 1.7 mm

HOW TO ORDER

3012/	2	G	S	L	-	F	-	1.8 N	-	Au	-	3.0	C
1	2	3	4	5		6		7		8		9	10

- 1. Series
- 2. Collar Height
- 3. Threaded Design
- 4. Plug-in Connector
- 5. Long Travel
- 6. Tip Style
- 7. Spring Force
- 8. Tip Plating
- 9. Tip Diameter
- 10. Tip Material (only for CuBe)