

**Technical Data // Series 3014/2G**

Switching Test Probe with Easy-Replacement System 160 mil / 4.0 mm

HIGHLIGHTS

Test Probe with switching function for cable harness test and presence verification

Threaded type

Easy-replacement system (replacement without soldering)

Short design (24.5 mm)

High soldering temperature up to 300°C

MECHANICAL DATA

Center 4.00 mm/160 mil

Temperature range -30 °C - +120 °C

Full travel 5.00 mm

Working travel 4.00 mm

Switching travel 1.70 mm

Pre-loaded spring force 0.50/ 1.00 N

Spring force at working travel 1.50/ 3.00 N

Spring force at switching travel 0.90/ 1.85 N

ELECTRICAL DATA**Receptacle-Plunger**

Max. current rating 3.0 A

Typical continuity resistance <= 20 mOhm

Pin-Plunger

Max. current rating 1.0 A

Typical continuity resistance <= 40 mOhm

Typical insulating voltage 1000 V

MATERIALS

Barrel Brass, gold-plated

Spring Spring Steel, gold-plated

Plunger CuBe

Receptacle Brass, gold-plated

RECOMMENDED DIAMETER OF DRILL

HP 2361.1 (trolitax) 3.50 mm

HGW 2372 (glass filled material) 3.51 mm

AVAILABLE SCREW TOOLS

Article Designation max. Tip Diameter

WFSB 1060/G-4.0-3.0 3.0

WFSB 1060/G-5.0-4.0-Z 4.0

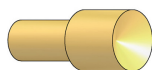
WFSB 1060/G-6.0-5.0-Z 5.0



Technical Data // Series 3014/2G

Switching Test Probe with Easy-Replacement System 160 mil / 4.0 mm

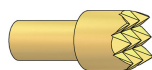
TIP STYLE - DIAMETER - PLATING



A
3.00C Au



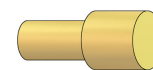
C
1.00C Au



C
2.00C Au
3.00C Au



F
1.00C Au

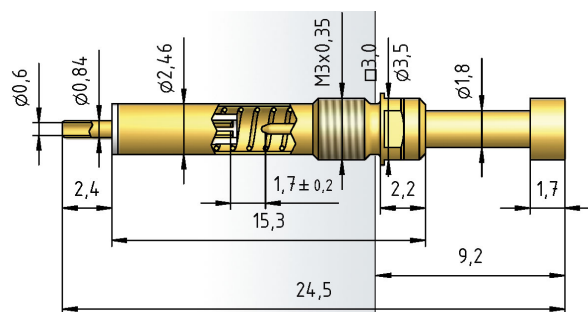


F
2.00C Au
3.00C Au

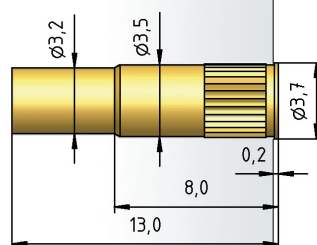


F1
2.00 HTK
3.00 HTK

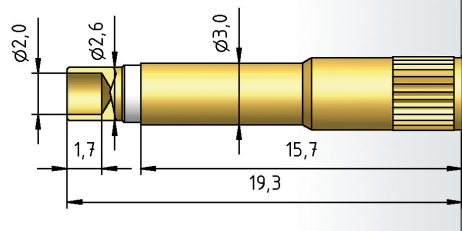
3014/2G



H 3014/GR



H 3014/GWR





PTR HARTMANN

A Phoenix Mecano Company

Technical Data // Series 3014/2G

Switching Test Probe with Easy-Replacement System 160 mil / 4.0 mm

HOW TO ORDER

3014/ 2 G - A - 1.5 N - Au - 3.0 C
1 2 3 4 5 6 7 8

- 1. Series 2. Collar Height 3. Threaded Design
- 4. Tip Style 5. Spring Force 6. Tip Plating
- 7. Tip Diameter 8. Tip Material (only for CuBe)