



Technical Data // Series 3015/G

Ball-Head Switching Test Probe 300 mil / 7.5 mm

HIGHLIGHTS

Ball-head switching test probe for presence detection with side activation

Threaded type

Precision ball plunger guide

MECHANICAL DATA

Center 7.50 mm/300 mil

Temperature range -30 °C - +120 °C

Full travel 1.00 mm

Working travel 0.80 mm

Switching travel 0.50 mm

Pre-loaded spring force 0.50 N

Spring force at working travel 0.70 N

Spring force at switching travel 0.60 N

ELECTRICAL DATA

Max. current rating 1.0 A

Typical continuity resistance ≤ 25 mOhm

Typical insulating voltage 1000 V

MATERIALS

Barrel Brass, gold-plated

Spring Spring Steel, gold-plated

Plunger Steel

Receptacle Brass, gold-plated

RECOMMENDED DIAMETER OF DRILL

HP 2361.1 (trolitax) 6.75...6.80 mm

AVAILABLE SCREW TOOLS

Article Designation max. Tip Diameter

WFSB 3015/G-7.0 5.0

TIP STYLE - DIAMETER - PLATING



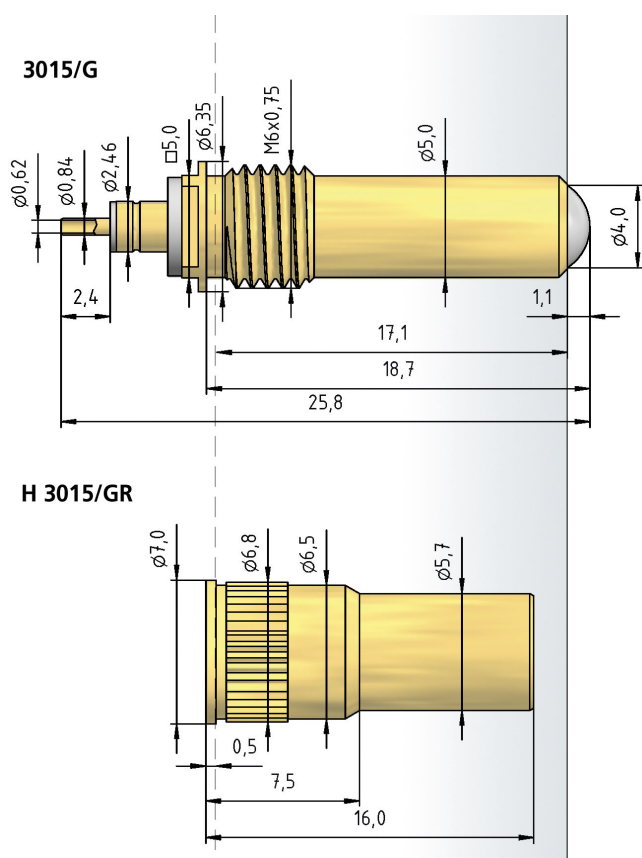
D

4.00 Ni



Technical Data // Series 3015/G

Ball-Head Switching Test Probe 300 mil / 7.5 mm



HOW TO ORDER

3015/ G - D - 0.7 N - Ni - 4.0

1 2 3 4 5 6

1. Series 2. Threaded Design 3. Tip Style
4. Spring Force 5. Tip Plating 6. Tip Diameter