



### Highlights

- 2 to 6 poles
- Horizontal pin strip
- Spacing 5.0 mm
- With fixing flange
- High current pin strip up to 16 A
- Reflow soldering
- Automatic assembly (tape-on-reel)
- THR
- Pin length 2.6 mm
- Pin length 3.5 mm also available

### Wire Sizes

Solid min	-
Solid max	-
Stranded (flexible) min	-
Stranded (flexible) max	-
Stranded with ferrule min	-
Stranded with ferrule max	-

### Dimensions

PCB hole diameter	1.4 mm
-------------------	--------

### Materials

Thread insert, flange	Brass
Contact pin	Copper Alloy

### Insulating Material

Material	PPA
Flammability class	UL 94 V-0

### Temperatures

Operating temperature (without mech. load)	-40 °C - 105 °C
Store temperature	-40 °C - 105 °C

**Technical Data // STL950/..F-5.0-H-P2.6-BK-HC-HT**

Spacing 5.0 mm

**Wave Soldering Process**

Soldering temperature, recommended 260 °C

Peak soldering time, recommended 3-4 s

**Reflow Process**

Soldering temperature, recommended 217 - 245 °C



Peak soldering time, recommended 60 s

**Colours**

BLACK, RAL 9011

Colours according to RAL, there may be variations on colour due to production conditions.

**Ratings**

UseGroup				
	B	C	D	
Rated voltage	300 V	150 V	300 V	250 V
Rated current	16 A	16 A	10 A	16 A
Overvoltage category				III
Test voltage	1.60 kV	1.30 kV	1.60 kV	4.0 kV
Pollution degree				3

**Counterparts (Spacing 5.0 mm)**

Terminal Block

AK950

In combination of connectors with different admission data, the lower value is valid.

**Tape on Reel**

Number of Poles	Reel (RD/")	Width (R/mm)	Pitch (RP/mm)	Pieces (PCS)
2	13	56	16	330
3	13	56	16	330
4	13	56	16	330
5	13	56	16	330
6	13	56	16	330

**Accessoires**

Figure	Designation	Article Number
	Coding Star CS2-5.0/5.08-LIGHT GREY-HT	Order Data: 50000000028



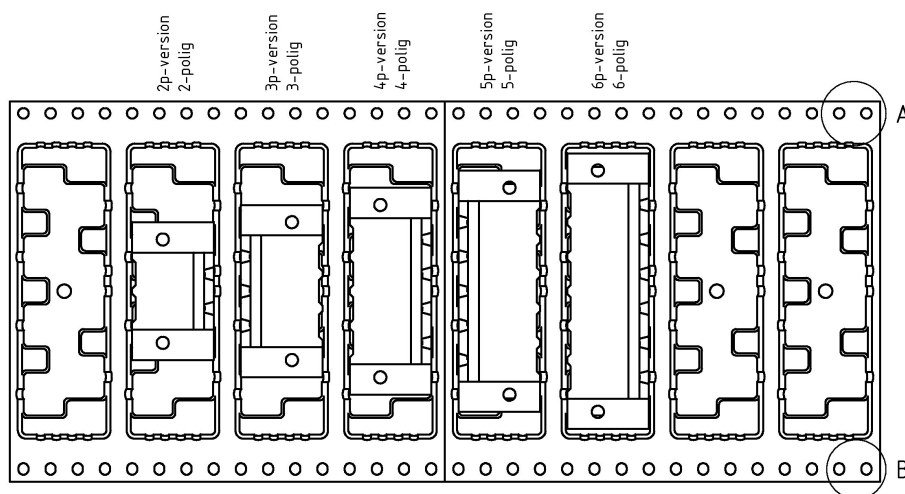
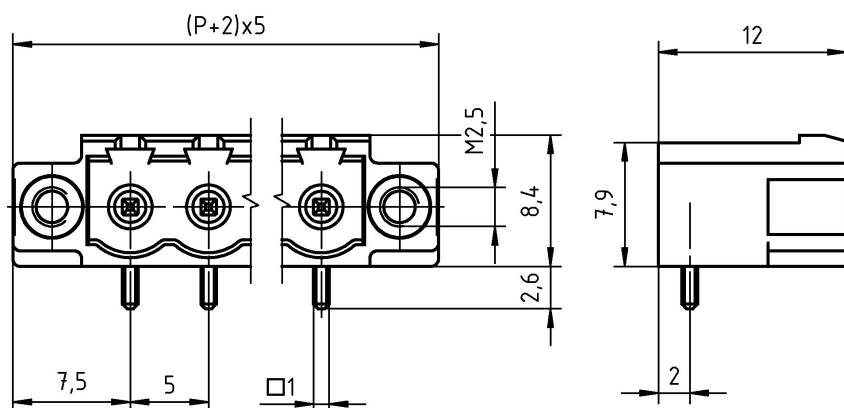
Technical Data // **STL950/..F-5.0-H-P2.6-BK-HC-HT**

Spacing 5.0 mm

**Order Data (Spacing 5.0 mm)**

Number of Poles	Width (mm)	Article Designation	Article Number	PU
2	20.00	STL950/2F-5.0-H-P2.6-BK-HC-HT	50950026349R	330
3	25.00	STL950/3F-5.0-H-P2.6-BK-HC-HT	50950036349R	330
4	30.00	STL950/4F-5.0-H-P2.6-BK-HC-HT	50950046349R	330
5	35.00	STL950/5F-5.0-H-P2.6-BK-HC-HT	50950056349R	330
6	40.00	STL950/6F-5.0-H-P2.6-BK-HC-HT	50950066349R	330

**Technical drawing**



unreel direction  
Abrollrichtung



A



B

