



### Highlights

- 2 to 8 poles
- Horizontal pin strip
- Spacing 5.08 mm
- Open ends
- High current pin strip up to 16 A
- Reflow soldering
- Automatic assembly (tape-on-reel)
- THR
- Pin length 2.6 mm
- Pin length 3.5 mm also available

### Wire Sizes

Solid min	-
Solid max	-
Stranded (flexible) min	-
Stranded (flexible) max	-
Stranded with ferrule min	-
Stranded with ferrule max	-

### Dimensions

PCB hole diameter	1.4 mm
-------------------	--------

### Materials

Contact pin	Copper Alloy
-------------	--------------

### Insulating Material

Material	PPA
Flammability class	UL 94 V-0

### Temperatures

Operating temperature (without mech. load)	-40 °C - 105 °C
Store temperature	-40 °C - 105 °C

**Technical Data // STLZ950/..-5.08-H-P2.6-BK-HC-HT**

Spacing 5.08 mm

**Wave Soldering Process**

Soldering temperature, recommended 260 °C

Peak soldering time, recommended 3-4 s

**Reflow Process**

Soldering temperature, recommended 217 - 245 °C



Peak soldering time, recommended 60 s

**Colours**

BLACK, RAL 9011

Colours according to RAL, there may be variations on colour due to production conditions.

**Ratings**

UseGroup				
	B	C	D	
Rated voltage	300 V	150 V	300 V	250 V
Rated current	16 A	16 A	10 A	16 A
Overtoltage category				III
Test voltage	1.60 kV	1.30 kV	1.60 kV	4.0 kV
Pollution degree				3

**Counterparts (Spacing 5.08 mm)**

Terminal Block


AKZ950

In combination of connectors with different admission data, the lower value is valid.

**Tape on Reel**

Number of Poles	Reel (RD/")	Width (R/mm)	Pitch (RP/mm)	Pieces (PCS)
2	13	32	16	330
3	13	32	16	330
4	13	56	16	330
5	13	56	16	330
6	13	56	16	330
7	13	56	16	330
8	13	56	16	330

**Accessoires**

Figure	Designation	Article Number
	Coding Star CS2-5.0/5.08-LIGHT GREY-HT	Order Data: 50000000028



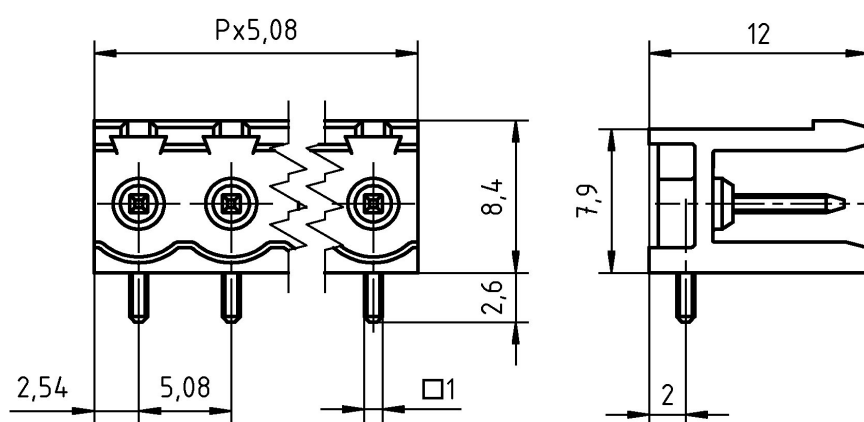
Technical Data // **STLZ950/...-5.08-H-P2.6-BK-HC-HT**

Spacing 5.08 mm

Order Data (Spacing 5.08 mm)

Number of Poles	Width (mm)	Article Designation	Article Number	PU
2	10.16	STLZ950/2-5.08-H-P2.6-BK-HC-HT	50950025339R	330
3	15.24	STLZ950/3-5.08-H-P2.6-BK-HC-HT	50950035339R	330
4	20.32	STLZ950/4-5.08-H-P2.6-BK-HC-HT	50950045339R	330
5	25.40	STLZ950/5-5.08-H-P2.6-BK-HC-HT	50950055339R	330
6	30.48	STLZ950/6-5.08-H-P2.6-BK-HC-HT	50950065339R	330
7	35.56	STLZ950/7-5.08-H-P2.6-BK-HC-HT	50950075339R	330
8	40.64	STLZ950/8-5.08-H-P2.6-BK-HC-HT	50950085339R	330

Technical drawing





Technical Data // **STLZ950/...-5.08-H-P2.6-BK-HC-HT**

