



Highlights

2 to 6 poles

Horizontal pin strip

Spacing 5.08 mm

With fixing flange

Reflow soldering

Automatic assembly (tape-on-reel)

THR

Pin length 2.6 mm

Pin length 3.5 mm also available

Wire Sizes

Solid min -

Solid max -

Stranded (flexible) min -

Stranded (flexible) max -

Stranded with ferrule min -

Stranded with ferrule max -

Dimensions

PCB hole diameter 1.4 mm

Materials

Thread insert, flange Brass

Contact pin Copper Alloy

Insulating Material

Material PPA

Flammability class UL 94 V-0

Temperatures

Operating temperature (without mech. load) -40 °C - 105 °C

Store temperature -40 °C - 105 °C

**Technical Data // STLZ950/..F-5.08-H-P2.6-BK-HT**

Spacing 5.08 mm

Wave Soldering Process

Soldering temperature, recommended 260 °C

Peak soldering time, recommended 3-4 s

Reflow Process

Soldering temperature, recommended 217 - 245 °C

Peak soldering time, recommended 60 s

Colours

BLACK, RAL 9011

Colours according to RAL, there may be variations on colour due to production conditions.

Ratings

UseGroup	UL [®]			VDE
	B	C	D	
Rated voltage	300 V	150 V	300 V	250 V
Rated current	15 A	15 A	10 A	12 A
Overvoltage category				III
Test voltage	1.60 kV	1.30 kV	1.60 kV	4.0 kV
Pollution degree				3

Counterparts (Spacing 5.08 mm)

Terminal Block


AKZ950 AKZ1100 AKZ1110 AKZ1200 AKZ4951

In combination of connectors with different admission data, the lower value is valid.

Tape on Reel

Number of Poles	Reel (RD/")	Width (R/mm)	Pitch (RP/mm)	Pieces (PCS)
2	13	56	16	330
3	13	56	16	330
4	13	56	16	330
5	13	56	16	330
6	13	56	16	330

Accessoires

Figure	Designation	Article Number
	Coding Star CS2-5.0/5.08-LIGHT GREY-HT	Order Data: 50000000028



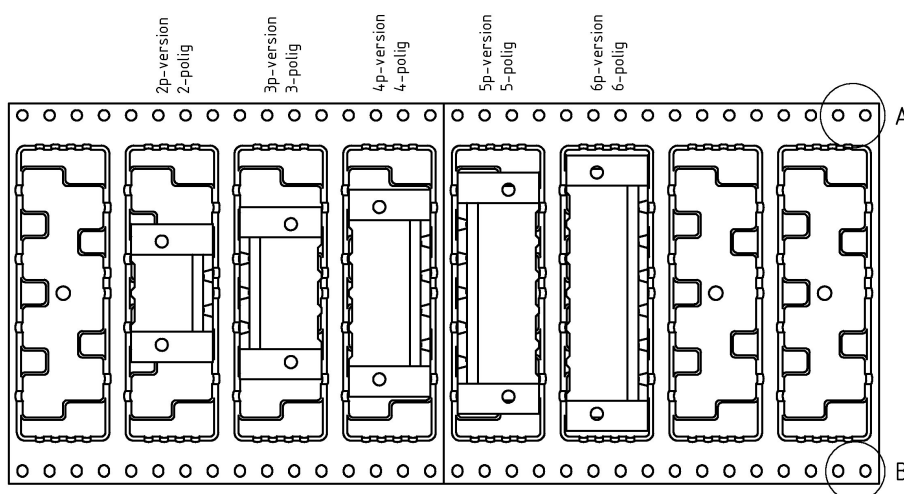
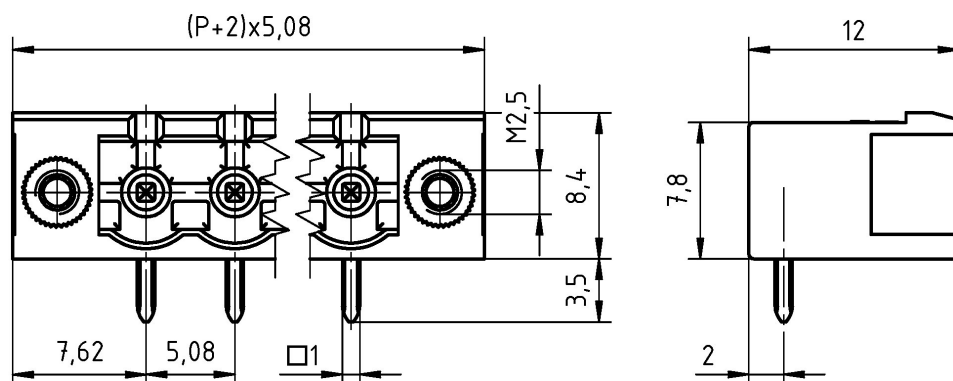
Technical Data // **STLZ950/..F-5.08-H-P2.6-BK-HT**

Spacing 5.08 mm

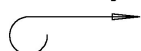
Order Data (Spacing 5.08 mm)

Number of Poles	Width (mm)	Article Designation	Article Number	PU
2	20.32	STLZ950/2F-5.08-H-P2.6-BK-HT	50950026327R	330
3	25.40	STLZ950/3F-5.08-H-P2.6-BK-HT	50950036327R	330
4	30.48	STLZ950/4F-5.08-H-P2.6-BK-HT	50950046327R	330
5	35.56	STLZ950/5F-5.08-H-P2.6-BK-HT	50950056327R	330
6	40.64	STLZ950/6F-5.08-H-P2.6-BK-HT	50950066327R	330

Technical drawing



unreel direction
Abrollrichtung



A



B

