

### Highlights

2 to 6 poles

Vertical pin strip

Spacing 5.08 mm

With fixing flange

Reflow soldering

Automatic assembly (tape-on-reel)

THR

Pin length 2.6 mm

Pin length 3.5 mm also available

### Wire Sizes

Solid min -

Solid max -

Stranded (flexible) min -

Stranded (flexible) max -

Stranded with ferrule min -

Stranded with ferrule max -

### Dimensions

PCB hole diameter 1.4 mm

### Materials

Thread insert, flange Brass

Contact pin Copper Alloy

### Insulating Material

Material PPA

Flammability class UL 94 V-0

### Temperatures

Operating temperature (without mech. load) -40 °C - 105 °C

Store temperature -40 °C - 105 °C

**Technical Data // STLZ950/..F-5.08-V-P2.6-BK-HT**

Spacing 5.08 mm

**Wave Soldering Process**

Soldering temperature, recommended 260 °C

Peak soldering time, recommended 3-4 s

**Reflow Process**

Soldering temperature, recommended 217 - 245 °C

Peak soldering time, recommended 60 s

**Colours**

BLACK, RAL 9011

Colours according to RAL, there may be variations on colour due to production conditions.

**Ratings**

UseGroup	UL <sup>®</sup> US			VDE
	B	C	D	
Rated voltage	300 V	150 V	300 V	250 V
Rated current	15 A	15 A	10 A	12 A
Overvoltage category				III
Test voltage	1.60 kV	1.30 kV	1.60 kV	4.0 kV
Pollution degree				3

**Counterparts (Spacing 5.08 mm)**

Terminal Block


AKZ950      AKZ1100      AKZ1110      AKZ1200      AKZ4951

In combination of connectors with different admission data, the lower value is valid.

**Tape on Reel**

Number of Poles	Reel (RD/")	Width (R/mm)	Pitch (RP/mm)	Pieces (PCS)
2	13	56	20	140
3	13	56	20	140
4	13	56	20	140
5	13	56	20	140
6	13	56	20	140

**Accessoires**

Figure	Designation	Article Number
	Coding Star CS2-5.0/5.08-LIGHT GREY-HT	Order Data: 50000000028

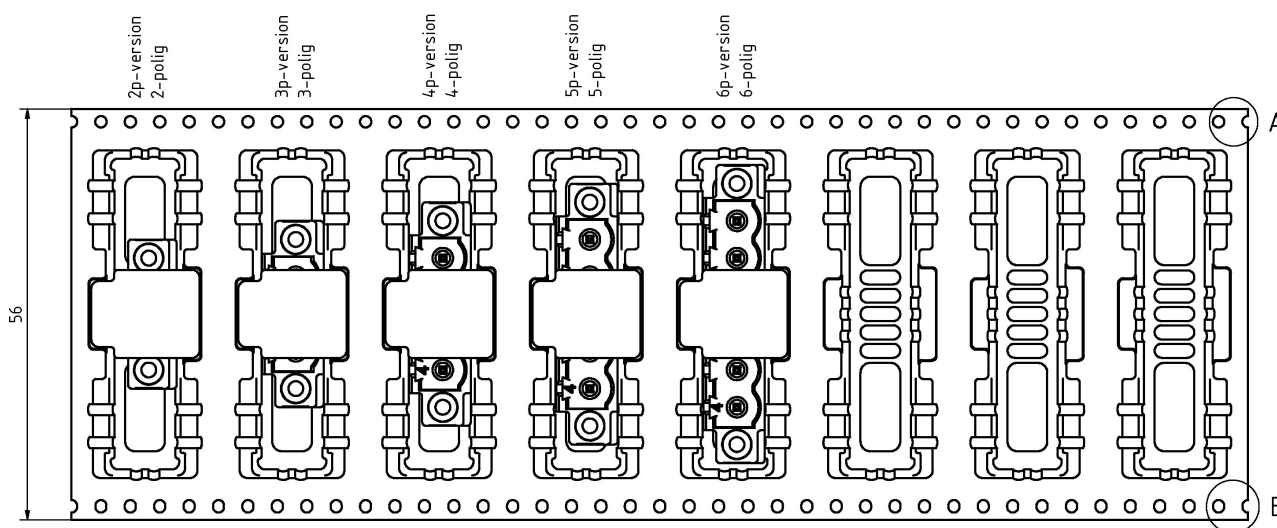
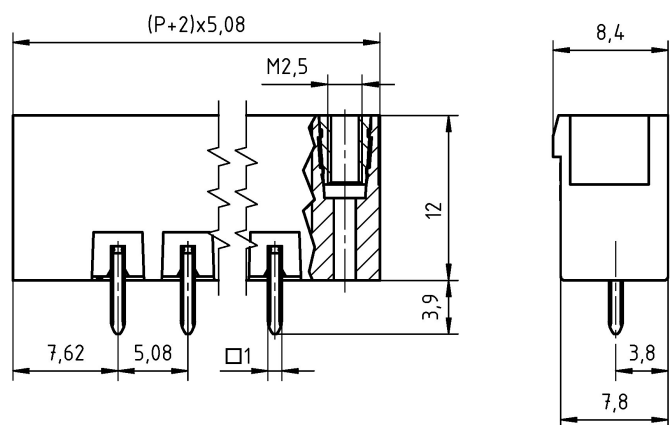


Spacing 5.08 mm

**Order Data (Spacing 5.08 mm)**

Number of Poles	Width (mm)	Article Designation	Article Number	PU
2	20.32	STLZ950/2F-5.08-V-P2.6-BK-HT	50950026367R	140
3	25.40	STLZ950/3F-5.08-V-P2.6-BK-HT	50950036367R	140
4	30.48	STLZ950/4F-5.08-V-P2.6-BK-HT	50950046367R	140
5	35.56	STLZ950/5F-5.08-V-P2.6-BK-HT	50950056367R	140
6	40.64	STLZ950/6F-5.08-V-P2.6-BK-HT	50950066367R	140

**Technical drawing**



unreel direction  
Abrollrichtung

