

### Highlights

2 to 8 poles

Horizontal pin strip

Spacing 5.08 mm

Open ends

Reflow soldering

Automatic assembly (tape-on-reel)

THR

Pin length 2.6 mm

Pin length 3.5 mm also available

### Wire Sizes

Solid min -

Solid max -

Stranded (flexible) min -

Stranded (flexible) max -

Stranded with ferrule min -

Stranded with ferrule max -

### Dimensions

PCB hole diameter 1.4 mm

### Materials

Contact pin Copper Alloy

### Insulating Material

Material PPA

Flammability class UL 94 V-0

### Temperatures

Operating temperature (without mech. load) -40 °C - 105 °C

Store temperature -40 °C - 105 °C

### Wave Soldering Process

Soldering temperature, recommended 260 °C

Peak soldering time, recommended 3-4 s

**Technical Data // STLZ950/..G-5.08-H-P2.6-BK-HT**

Spacing 5.08 mm

**Reflow Process**

Soldering temperature, recommended 217 - 245 °C



Peak soldering time, recommended 60 s

**Colours**

BLACK, RAL 9011

Colours according to RAL, there may be variations on colour due to production conditions.

**Ratings**

UseGroup				
	B	C	D	
Rated voltage	300 V	150 V	300 V	250 V
Rated current	15 A	15 A	10 A	12 A
Overvoltage category				III
Test voltage	1.60 kV	1.30 kV	1.60 kV	4.0 kV
Pollution degree				3

**Counterparts (Spacing 5.08 mm)**

Pin Strip/Terminal Block


STLZ950-INV    AKZ950    AKZ955    AKZ1100    AKZ1110    AKZ1200    AKZ4951

In combination of connectors with different admission data, the lower value is valid.

**Tape on Reel**

Number of Poles	Reel (RD/")	Width (R/mm)	Pitch (RP/mm)	Pieces (PCS)
2	13	32	16	330
3	13	32	16	330
4	13	56	16	330
5	13	56	16	330
6	13	56	16	330
7	13	56	16	330
8	13	56	16	330

**Accessoires**

Figure	Designation	Article Number
	Coding Star CS2-5.0/5.08-LIGHT GREY-HT	Order Data: 50000000028



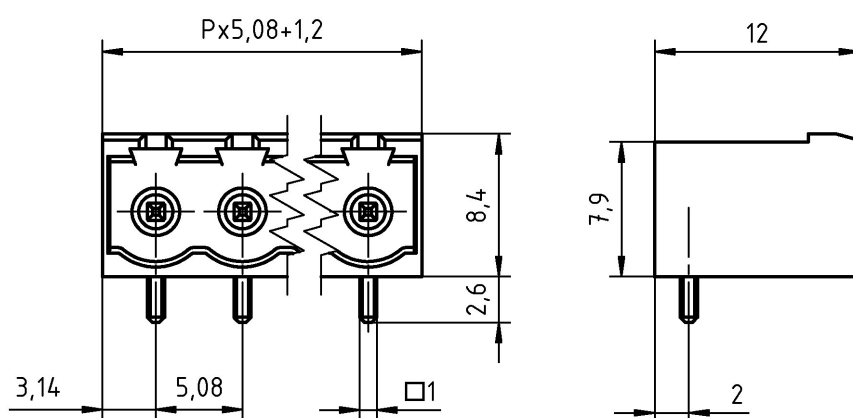
Technical Data // **STLZ950/..G-5.08-H-P2.6-BK-HT**

Spacing 5.08 mm

Order Data (Spacing 5.08 mm)

Number of Poles	Width (mm)	Article Designation	Article Number	PU
2	11.36	STLZ950/2G-5.08-H-P2.6-BK-HT	50950025327R	330
3	16.44	STLZ950/3G-5.08-H-P2.6-BK-HT	50950035327R	330
4	21.52	STLZ950/4G-5.08-H-P2.6-BK-HT	50950045327R	330
5	26.60	STLZ950/5G-5.08-H-P2.6-BK-HT	50950055327R	330
6	31.68	STLZ950/6G-5.08-H-P2.6-BK-HT	50950065327R	330
7	36.76	STLZ950/7G-5.08-H-P2.6-BK-HT	50950075327R	330
8	41.84	STLZ950/8G-5.08-H-P2.6-BK-HT	50950085327R	330

Technical drawing





**PTR HARTMANN**

A Phoenix Mecano Company

Technical Data // **STLZ950/..G-5.08-H-P2.6-BK-HT**

